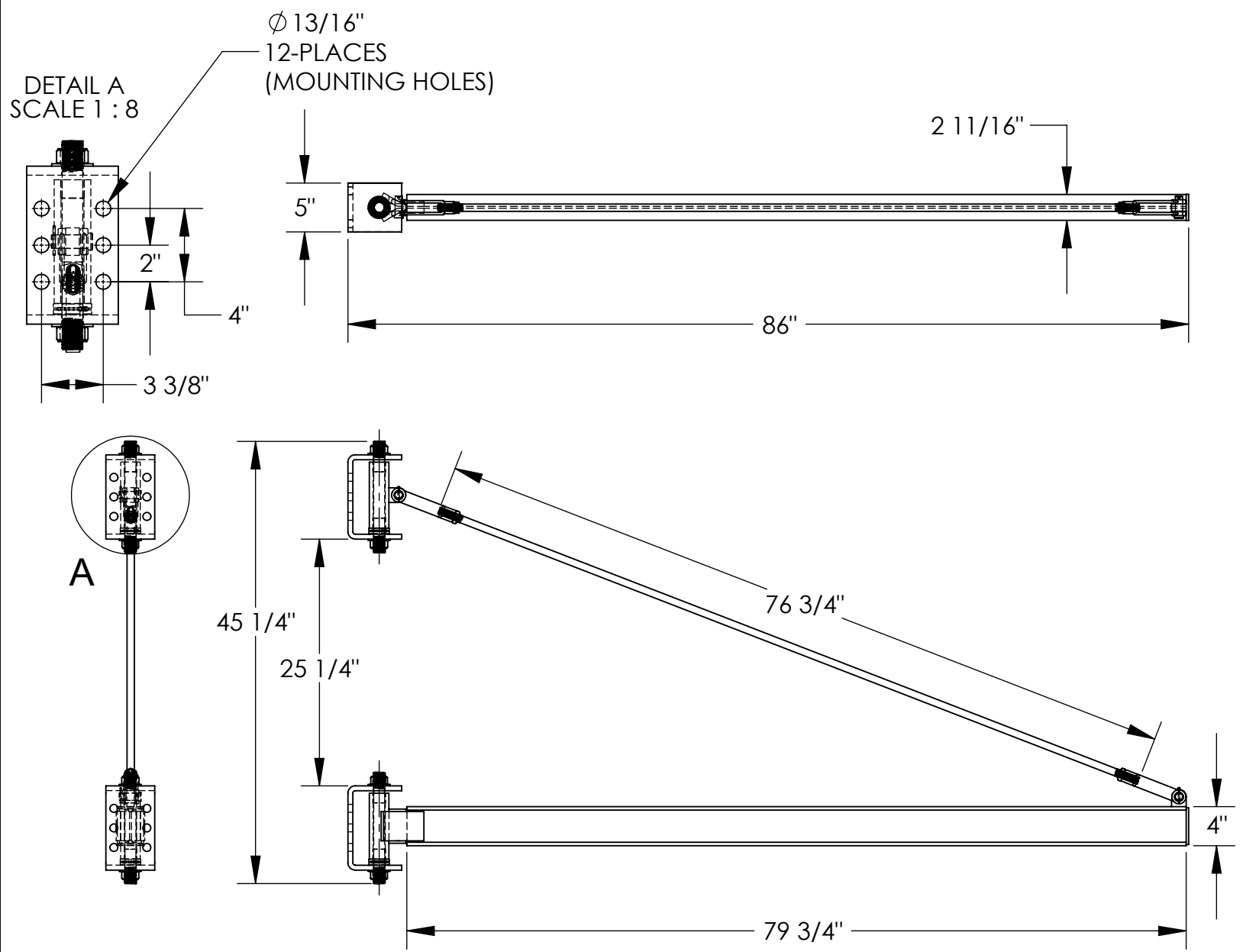


# TIE ROD JIB (HIGH CEILING) - JIB-HC-10

APPROX WEIGHT: 109.68 lbs.  
 DOES NOT INCLUDE WEIGHT OF POWER OR PACKAGING!!!

\*\*\*ANY ADDITIONS, DELETIONS, OR OMISSIONS MUST BE CORRECTED ON THIS DRAWING AS THIS DRAWING WILL BE CONSIDERED ALL INCLUSIVE\*\*\*



ALL GRAPHICS PROVIDED ARE FOR REFERENCE ONLY. IF CERTAIN DIMENSIONS ARE CRITICAL PLEASE VERIFY THOSE DIMENSIONS WITH YOUR SALESPERSON

## STANDARD FEATURES

- MODEL NUMBER IS JIB-HC-10
- CAPACITY IS 1,000 LBS.
- OVERALL WIDTH IS 5"
- OVERALL LENGTH IS 86"
- USABLE I-BEAM LENGTH IS 79 3/4"
- OVERALL HEIGHT IS 45 1/4"
- TIE ROD LENGTH IS 76 3/4"
- I-BEAM SIZE: 4" HEIGHT X  
2 11/16" FLANGE WIDTH
- 180° I-BEAM ROTATION
- DURABLE LIQUID PAINT BLUE FINISH

DIMENSION TOLERANCE ± 1/4"

<b>A P P R O V A L</b>	I, THE UNDERSIGNED, AGREE THAT THE PRODUCT AS REPRESENTED SATISFIES DESIGN AND DIMENSION REQUIREMENTS. I ALSO ACKNOWLEDGE MY DUTY TO CONFIRM PRODUCT AND INSTALLATION COMPLIANCE WITH ALL APPLICABLE FEDERAL, STATE AND LOCAL REGULATIONS AND STANDARDS.	
	<b>UNITS REQUIRING APPROVAL DRAWINGS OR MODIFIED ARE NON-RETURNABLE</b>	
	[ ] As drawn [ ] As marked	
	Signed: _____	Date: _____
Printed Name: _____		
LEAD TIME WILL START UPON RECEIPT OF SIGNED APPROVAL DRAWING		

## SPECIAL FEATURES

NONE

DISTRIBUTOR'S NAME:		P.O.#
<b>VESTIL MANUFACTURING</b>		X
		W.O.#
		X
DRAWN BY: ND	DATE: 12/18/01	SALES: X
REFERENCE: X	SCALE: 1:15	FILE NAME:
QUOTED LEAD TIME: X	QUOTE # X	28-007-275